



GENERAL BUILDING-AUTHORITY TEST CERTIFICATE (ABP)

EASY GLASS[®] VIEW MOD 6923

For any questions about this certificate, please contact:

Q-railing Europe GmbH & Co. KG
Marie-Curie-Straße 8-14
46446 Emmerich am Rhein, Germany
+49 (0) 2822 915 69 0

Labor für Stahl- und Leichtmetallbau GmbH

Management: Prof. Dr. - Ing. Ö. Bucak
at University of Munich
Faculty 02 Structural engineering / Steel construction

Römerstraße 23, 86438 Kissing
Tel.:0049 08233 24699 52 - 2611; E-mail: info@laborsl.de



Bay 27

General building-authority test certificate

Test certificate number: P-2022-3039

Object: linearly mounted compound safety glazing

System: EASY GLASS View

Intended purpose: Barrier according to DIN 18008-4
Administrative instructions Technical Building
Regulations for Nordrhein-Westfalen (VV TB
NRW) Version 2019/01
Type of construction acc. to C 4.12

Barrier category: B

Applicant: Q-railing Europe GmbH & Co. KG
Marie-Curie-Straße 8 - 14
46446 Emmerich am Rhein

Date of issue: 27.06.2022

Valid until: 26.06.2027

This general building-authority certificate conforms that the object named above can be used in accordance with the State Building Code.

The general building-authority test certificate consists of 8 pages and 26 appendices.



- I. General regulations 3
- II. Special regulations 3
 - 1. Object and scope of application 3
 - 1.1 Object 3
 - 1.2 Scope of application 3
 - 1.3 Basis of this certificate 3
 - 2 Requirements for the design 4
 - 2.1 Description of the construction 4
 - 2.2 Test procedure to be used 7
 - 2.3 Use, maintenance and service 7
 - 3. Validity and specifications for dimensioning 7
 - 3.1 Area of application 7
 - 3.2 Dimensions 7
 - 4. Declaration of conformity 7
 - 5. Associated regulations 8
- III. Legal basis 8
- IV. Instruction on right to appeal 8



I. General regulations

1. The general building-authority test certificate does not replace the permits, approvals and certificates legally required for construction projects.
2. The general building-authority test certificate is issued without affect the rights, especially private property rights, of third parties.
3. Regardless of additional regulations under "Special regulations", the manufacturer of the design must provide the user of the construction with copies of the general building-authority test certificate and point out that the general building-authority test certificate must be available at the location of use. Upon request, the authorities involved must be provided with copies of the general building-authority test certificate.
4. The general building-authority test certificate must only be reproduced in its unshortened version. Publication in parts requires the approval of the Labor für Stahl- und Leichtmetallbau GmbH. Texts and drawings of advertising must not contradict the general building-authority test certificate. Translations of the general building-authority test certificate must contain the note "This translation of the German original version was not reviewed by the Labor für Stahl- und Leichtmetallbau GmbH".

II. Special regulations

1. Object and scope of application

1.1 Object

The object of the general building-authority test certificate is the glass barrier system Easy Glass View according administrative instructions Technical Building Regulations for Nordrhein-Westfalen (VV TB NRW) Version 2019/01 distributed by Q-railing Europe GmbH & Co. KG. The glass panels are linearly fixed on the vertical edges.

1.2 Scope of application

The object named above is used in accordance with DIN 18008-4, Additional requirements for barrier glazing according to **Category A**.

1.3 Basis of this certificate

Basis for this test certificate are the test reports 2017-3003.



2 Requirements for the design

2.1 Description of the construction

2.1.1 Glass mounting

The glazing is fixed on the two vertical glass edges with aluminum profiles. For this purpose, the basic body of the clamping system is attached to the structure.

The glass support is carried out by means of a cover strip, which is clipped on the base body. The glass clamping is then achieved by inserting an EPDM rubber on the side of the cover strip. The weight of the glasses is carried at the undersides of the basic bodies. The basic bodies consist of drawn aluminium profiles (see annex 1).

2.1.2 Glazing

The following glass-built ups are possible:

Glass built up:

	built up 1	built up 2	built up 3
Fully tempered glass (ESG)	6,00 mm	8,00 mm	10,00 mm
Interlayer	0,76 mm	0,76 mm	0,76 mm
Fully tempered glass (ESG)	6,00 mm	8,00 mm	10,00 mm
Gesamtglasstärke ca.	12,8 mm	16,8 mm	20,8 mm

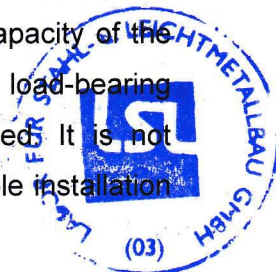
Only glass products according to DIN 18008-4 are allowed. The glass and interlayer thicknesses listed above may be exceeded. All Interlayers with an appropriate general building-authority certificate may be used for laminated glass. Tempered glass according to DIN EN 12150 or DIN EN 14179 is allowed.

2.1.3 Edge protection

The upper edge of the glass must be protected either by an edge protection profile according to DIN 18008-4, Annex F or by an edge protection profile as shown in annexes 2 and 3. The lower edge of the glass must be protected either by adjacent components (a maximum distance of 30 mm) or by an edge protection profile

2.1.4 Fixing of the bearing system on concrete walls

The fixing can be done on solid concrete walls. The prerequisite for this is that a total load bearing capacity of at least 14 kN in the direction of fall is ensured for each bearing side. For this purpose, anchor bolts with appropriate building approvals must be used. The load bearing capacity of the anchors must be taken from the corresponding approval. To determine the existing load-bearing capacity, the characteristic load-bearing capacities of the fasteners must be used. It is not necessary to factor the values with safety factors. In Annexes 4 and 5, the permissible installation situations are shown as examples.



2.1.5 Fixing of the bearing system on steel profiles

The fixing can be done on steel profiles. The prerequisite for this is that a total load bearing capacity of at least 14 kN in the direction of fall is ensured for each bearing side. To determine the existing load-bearing capacity, the characteristic load-bearing capacities of the fasteners must be used. It is not necessary to factor the values with safety factors. Appendix 6 shows the permissible installation situations by way of example.

2.1.6 Fixing of the bearing system on plastic profiles

The fixing can be done on plastic window and façade profiles. The plastic post profiles must have a steel reinforcement. The following fastening systems may be used.

Self tapping screw piasta®

The basic body can be attached directly to the plastic profiles via piasta [i] fastening screws. The prerequisite is that at least 4 drill screws are used for each bearing side. The steel reinforcement must have a wall thickness of at least 1.5 mm. The attachment of the profiles with drill screws is shown in Appendix 7 as an example. Roller shutter rails with a maximum thickness of 60 mm may be inserted between the fastening profile and the window/façade profile (see Appendix 8). The load-bearing capacity of the screws must be documented separately for each profile system and profile variant and documented in the form of a test report by a recognized test center

Fastening system "flyfix"

For the fastening system "flyfix", 14 kN load bearing capacity must also be achieved for each bearing side. To determine the existing load-bearing capacity, the characteristic load-bearing capacities of the fasteners must be used. It is not necessary to factor the values with safety factors. At least two "flyfix" mounting points must always be set. The load-bearing capacity of the fixture must be documented individually for each profile system and profile variant and must be documented in the form of a test report by a recognized test center. The fastening with the "flyfix" system is shown in Appendix 9 as an example.

2.1.7 Fixing of the bearing system on wood structures

The fixing can be done on wood structures and façade profiles. The wood profiles used must have a density of at least 350 kg/m³. Other types of wood with higher density may be used. The fixing of each aluminum profile must be done with the following screws:

Screw according to ETA-11/0190 [j]:

Screw head: Dischead I oder II / AW 30
Thread molding: oneway
Amount of screws: min. 4 for each base profile

Screw according to ETA-12/0114 [k]:

Screw head: Washer Head
Amount of screws: Amount of screws



For the above-mentioned screws, all combinations of diameter and wood density can be used. For each screw, at least the following axial screw load capacity or pull-out resistance according to [j] and [k] must be obtained:

$$F_{ax,\alpha,Rk} = 3726N$$

The aluminum profile can either be screwed directly to the wooden profile or a spacer can be used. The spacers must have a maximum thickness of 5 mm. A roller shutter rail can also be interposed between the wooden profile and the aluminum profile. The design may have a maximum thickness of 60 mm. The permissible installation situations are illustrated by way of example in Annexes 10 to 14.

2.1.8 Fixing of the bearing system on aluminum profiles

The fixing can be made on aluminum windows or aluminum facade profiles. The aluminum profiles used must have a thickness of at least 1.6 mm. The following fastening systems may be used. Between the mounting profile and the window / facade profile, roller shutter rails with a maximum thickness of 60 mm may be interposed.

Fixing with thread screw and nut

The mounting is carried out with at least 3 threaded screws and nuts for each glass bearing side. For this purpose, the aluminum profile is provided with corresponding holes for the screws. The back fastening is done with threaded nuts. A washer with a minimum diameter of 15 mm must be inserted between the nut and the aluminum profile. The fastening screws made of stainless steel must have at least the material quality V2A.

Fixing system "flyfix"

For the fastening system "flyfix", at least two mounting points must be used for each mounting side. The screw connection must also be made with M8 thread screws of the quality V2A.

Fixing with Würth rivet nut

In this variant, at least 3 aluminum rivet nuts (item no. 09483208) must be inserted into the aluminum profile for each glass bearing surface. The aluminum profiles must have a maximum material thickness of 2.0 mm.

Fixing with inserts

In this variant, a stainless steel insert is inserted into the aluminum profile. The glass bearing profile is then screwed to the insert via at least 3 stainless steel screws (V2A). The indentation must have a width of at least 12 mm and a thickness of at least 8 mm.

The permissible installation situations are illustrated by way of example in appendices 15 to 26.



2.2 Test procedure to be used

The test of the barrier function of the glazing was done according to Appendix A of DIN 18008-4. The bearing capacity under impact loading was tested for the standard dimensions of the described glazing using the pendulum impact test.

2.3 Use, maintenance and service

The construction must be mounted and secured using suitable measures in such a way that it meets the specified requirements as barrier permanently. The proof of secure anchoring of the glazing construction at the building must follow the applicable technical building regulations.

3. Validity and specifications for dimensioning

3.1 Area of application

The general building-authority test certificate is valid for the design described in section 2. The glazing has a barrier function according to category A. The admissible dimensions for the corresponding installation situation are specified in the following table.

Table 1: glass dimensions

glass built up	Glasswidth b [mm]		Glassheight [mm]	
	min.	max.	min.	max.
2x6 ESG	500	500	275	any
	500	2500	870	any
2x8 ESG	500	2300	275	any
	500	3000	870	any
	500	2800	500	any
2x10 ESG	500	2800	275	any
	500	3300	590	any

3.2 Dimensions

For the application, a calculated proof of bearing capacity under static load according to DIN 18008-4, section 6.1 must be provided for the glazing and mounting constructions.

4. Declaration of conformity

The design described in this general building-authority test certificate requires a declaration of conformity by the user (contractor) in accordance with Building Regulations List A part 3. In this document, the contractor declares for the client that the described design complies with this general building-authority test certificate in all details.



5. Associated regulations

The provisions of DIN 18008-4, Additional requirements for barrier glazing, must be considered for the descriptions. Furthermore, the following standards and information sheets in their current version are referenced:

- [a] Building code for Land Nordrhein-Westfalen (BauO NRW) Fassung 2018/07
- [b] Administrative instructions Technical Building Regulations for Nordrhein-Westfalen (VV TB NRW) Version 2019/01
- [c] DIN EN 14449; Glass in building - Laminated glass and laminated safety glass
- [d] DIN 572, Part 1-2; Glass in building - Basic soda lime silicate glass products
- [e] DIN 12150, Part 1; Glass in building - Thermally toughened soda lime silicate safety glass
- [f] DIN 14179, Part 1; Glass in building – Heat Soaked thermally toughened soda lime silicate safety glass
- [g] DIN EN 1863, Part 1; Glass in building - Heat strengthened soda lime silicate glass
- [h] DIN 18008, Part 1-2; Glass in Building - Design and construction rules
- [i] Test report 2017-3003; impact tests according to DIN 18008-4; Labor für Stahl und Leichtmetallbau GmbH from 20.06.2017

III. Legal basis

This general building-authority test certificate was issued based on § 22 of the building code for Land Nordrhein-Westfalen (BauO NRW) Fassung 2018/07.

IV. Instruction on right to appeal

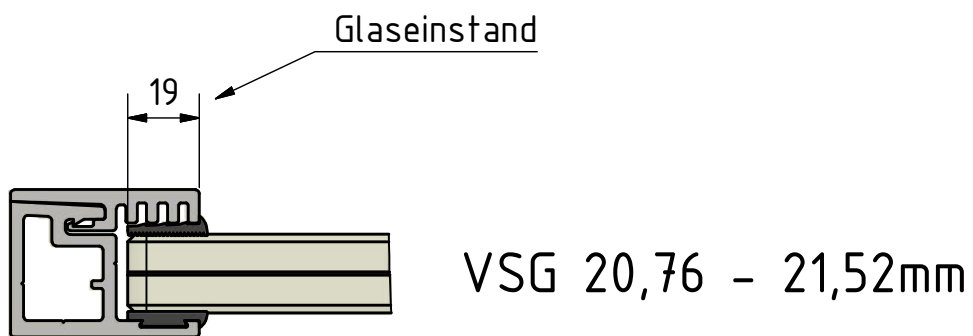
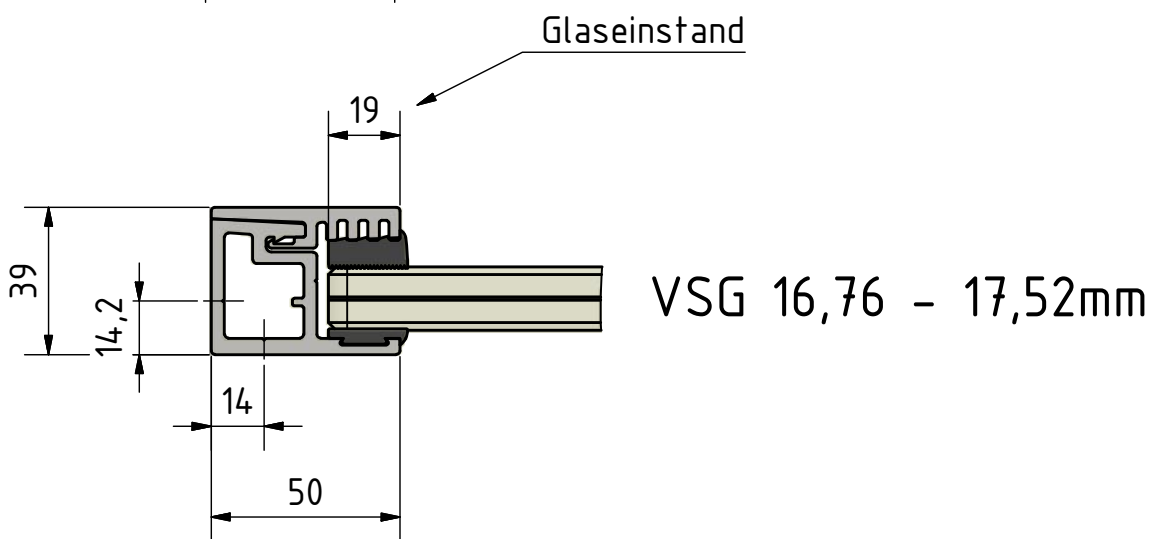
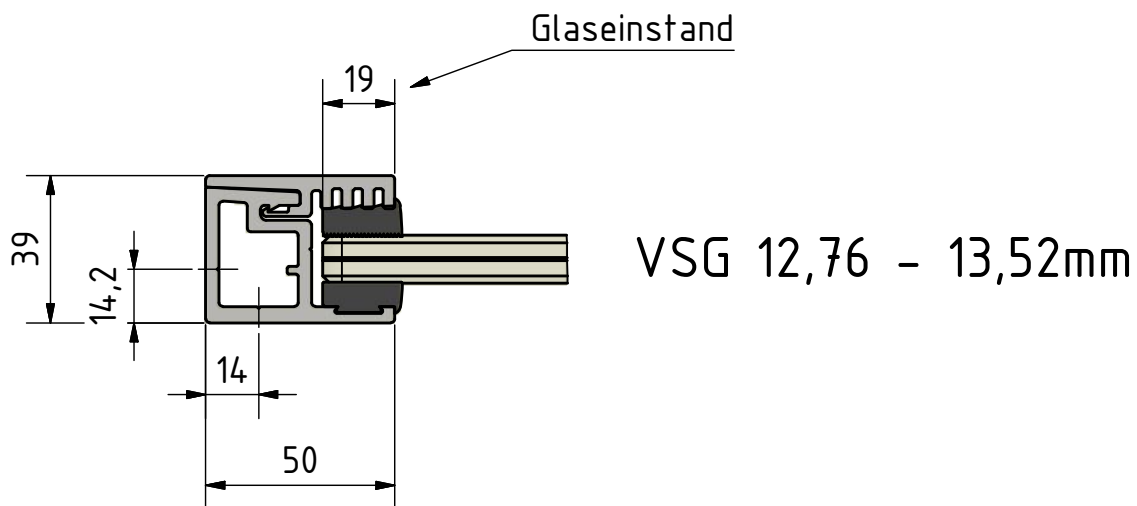
This general building-authority test certificate can be appealed within one month after issue. The appeal must be submitted in writing or for recording at the Labor für Stahl- und Leichtmetallbau GmbH.


Kissing, 20.06.2022

For the management and person in charge of the case

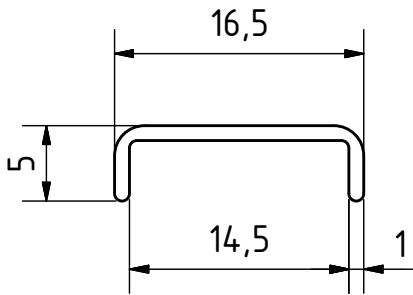
Dipl. -Ing. (FH) A. Lorenz



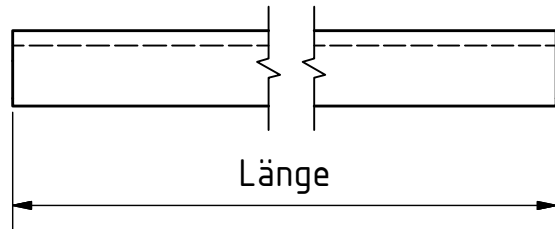


Produkt Linie: Easy Glass View	Gez.: MPS	 THE PREMIUM BRAND IN RAILING SYSTEMS <small>Diese Detailzeichnung gilt nur zur Orientierung. Die ausführende Firma bleibt verantwortlich für die fachgerechte Montage nach landesspezifischen Vorschriften und Richtlinien. Für weiteren Service nehmen Sie bitte Kontakt mit Ihrer nächstgelegenen Q-railing Niederlassung auf.</small>
Beschreibung: Detailzeichnung	Dat.: 05.12.2016	
MOD-Nr.: 6923	Bea.:	
Zeichnungs-Nr.: 6923-001	Dat.:	
WWW.Q-RAILING.COM		

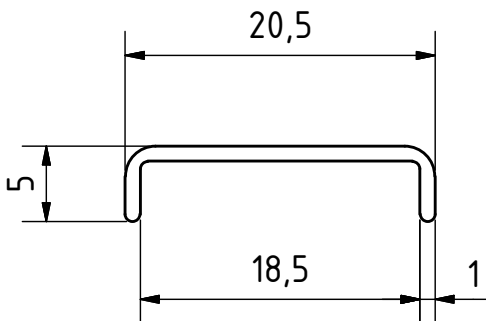
Kantenschutzprofil für 12,76mm - 13,52mm
Ausführung in Edelstahl



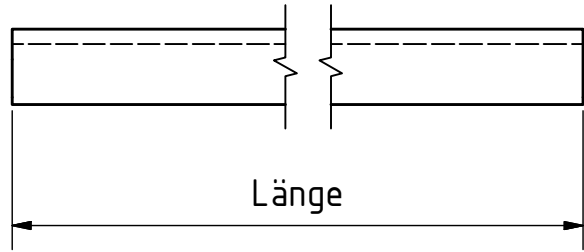
(art. no 14.6940.114.12)



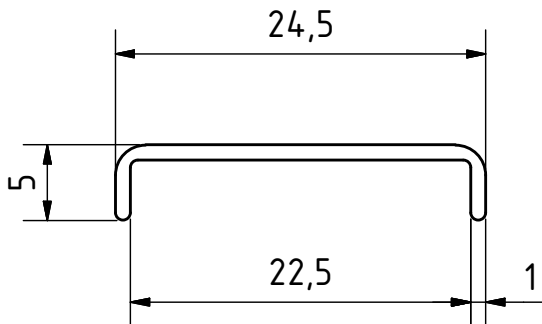
Kantenschutzprofil für 16,76mm - 17,52mm
Ausführung in Edelstahl



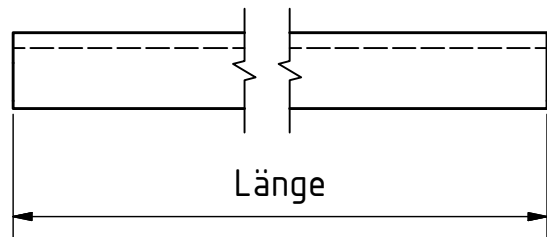
(art. no 14.694x.118.12)



Kantenschutzprofil für 20,76mm - 21,52mm
Ausführung in Edelstahl



(art. no 14.694x.122.12)



Produkt Linie: Easy Glass View

Gez.: MPS

Beschreibung: Detailzeichnung (Kantenschutzprofil)

Dat.: 05.12.2016

MOD-Nr.: 6923

Bea.:

Zeichnungs-Nr.: 6923-003

Dat.:

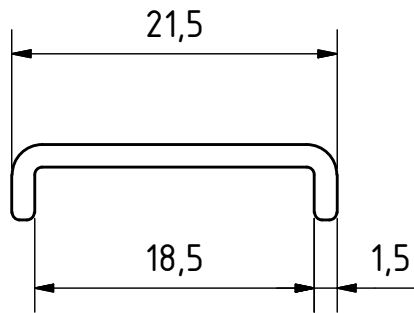
WWW.Q-RAILING.COM

Maßstab:

Q-railing

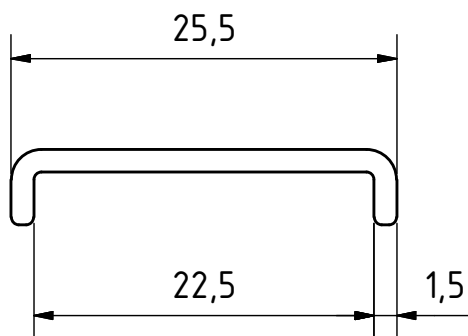
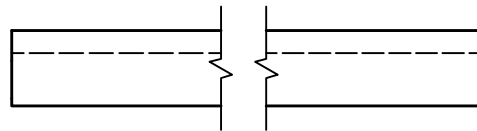
THE PREMIUM BRAND IN RAILING SYSTEMS

Diese Detailzeichnung gilt nur zur Orientierung. Die ausführende Firma bleibt verantwortlich für die fachgerechte Montage nach landesspezifischen Vorschriften und Richtlinien. Für weiteren Service nehmen Sie bitte Kontakt mit Ihrer nächstgelegenen Q-railing Niederlassung auf.



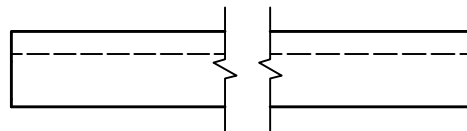
(art. no 16.694x.118.18)


Kantenschutzprofil für 16,76mm - 17,52mm
Ausführung in Aluminium



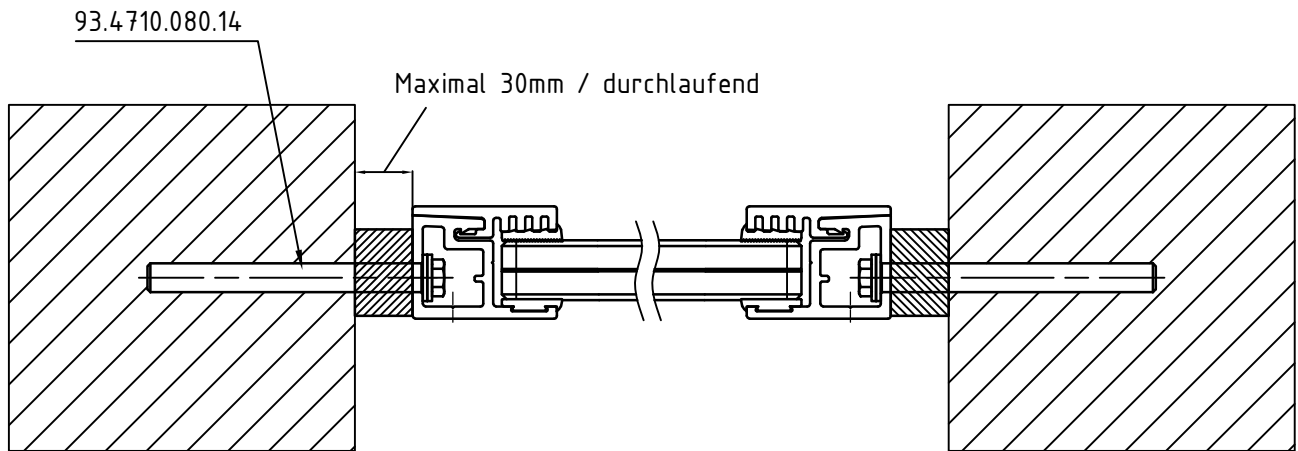
(art. no 16.694x.122.18)

Kantenschutzprofil für 20,76mm - 21,52mm
Ausführung in Aluminium

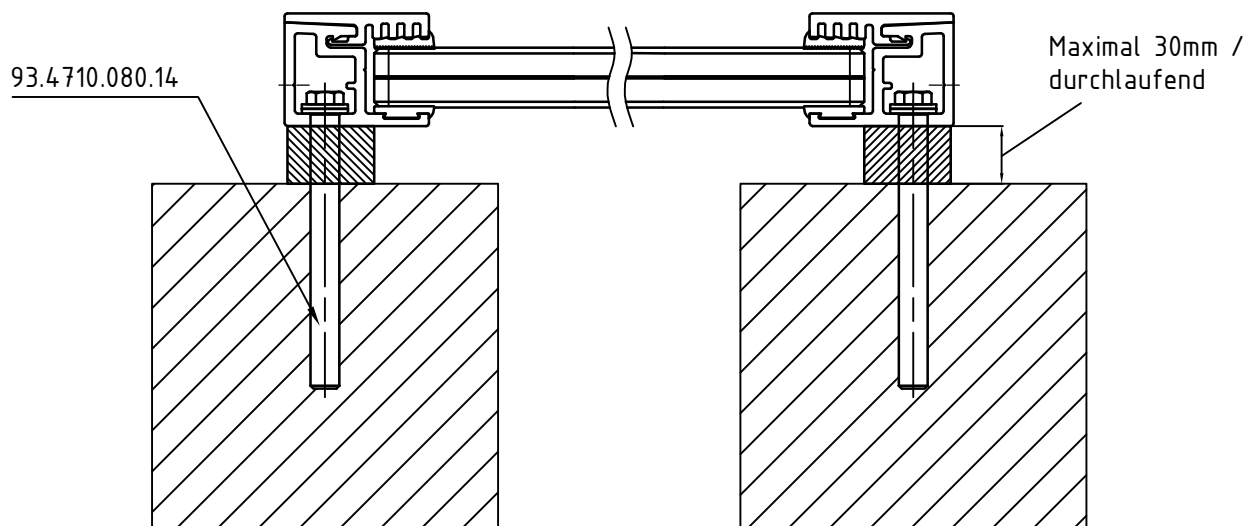


Produkt Linie: Easy Glass View	Gez.: MPS	 Q-railing THE PREMIUM BRAND IN RAILING SYSTEMS <small>Diese Detailzeichnung gilt nur zur Orientierung. Die ausführende Firma bleibt verantwortlich für die fachgerechte Montage nach landesspezifischen Vorschriften und Richtlinien. Für weiteren Service nehmen Sie bitte Kontakt mit Ihrer nächstgelegenen Q-railing Niederlassung auf.</small>
Beschreibung: Detailzeichnung (Kantenschutzprofil)	Dat.: 05.12.2016	
MOD-Nr.: 6923	Bea.:	
Zeichnungs-Nr.: 6923-004	Dat.:	
WWW.Q-RAILING.COM		

Montage in der Leibung Mauerwerk/Beton



Montage vor der Leibung Mauerwerk/Beton



Produkt Linie: Easy Glass View

Beschreibung: Detailzeichnung (Betonanschluss)

MOD-Nr.: 6923

Zeichnungs-Nr.: 6923-005

Gez.: MPS

Dat.: 05.12.2016

Bea.:

Dat.:

Maßstab:

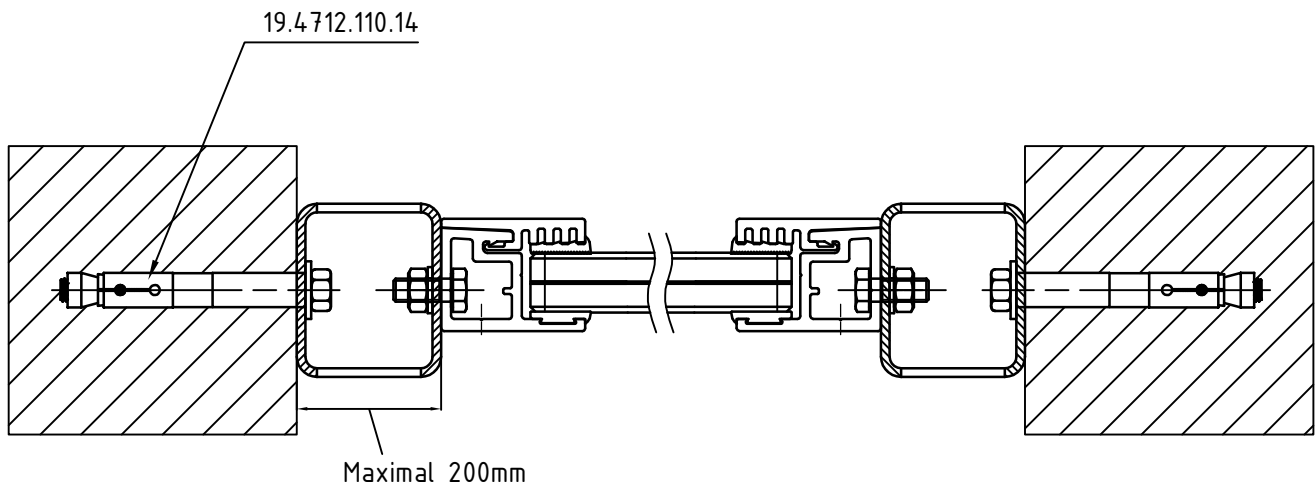
Q-railing

THE PREMIUM BRAND IN RAILING SYSTEMS

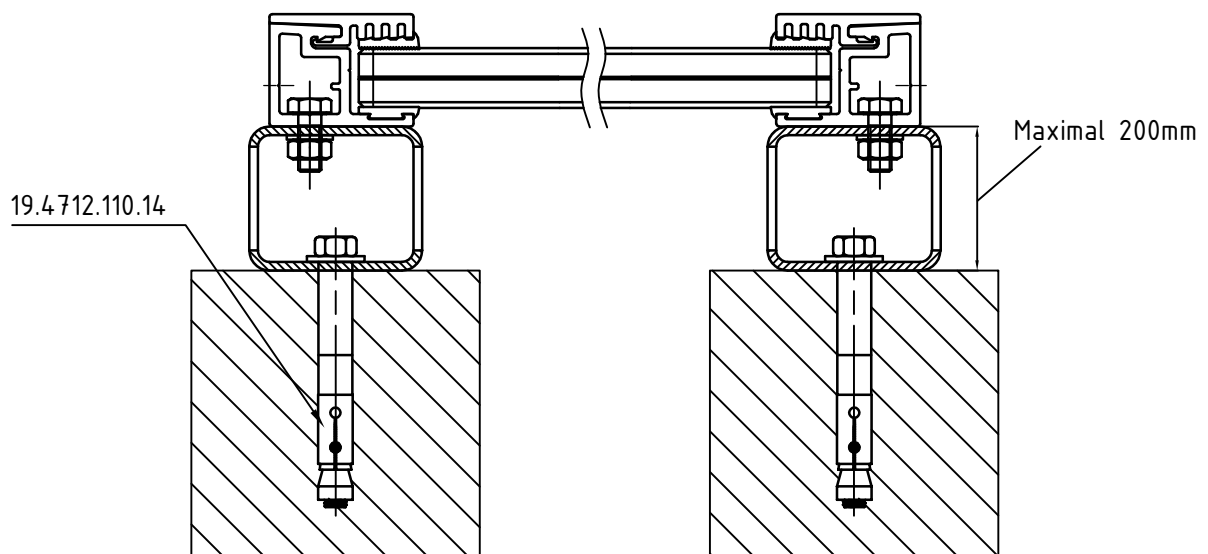
Diese Detailzeichnung gilt nur zur Orientierung. Die ausführende Firma bleibt verantwortlich für die fachgerechte Montage nach landesspezifischen Vorschriften und Richtlinien. Für weiteren Service nehmen Sie bitte Kontakt mit Ihrer nächstgelegenen Q-railing Niederlassung auf.

WWW.Q-RAILING.COM

Montage in der Leibung Rohr



Montage vor der Leibung Rohr



Produkt Linie: Easy Glass View

Beschreibung: Detailzeichnung (Betonanschluss)

MOD-Nr.: 6923

Zeichnungs-Nr.: 6923-006

Gez.: MPS

Dat.: 05.12.2016

Bea:

Dat.:

Maßstab:

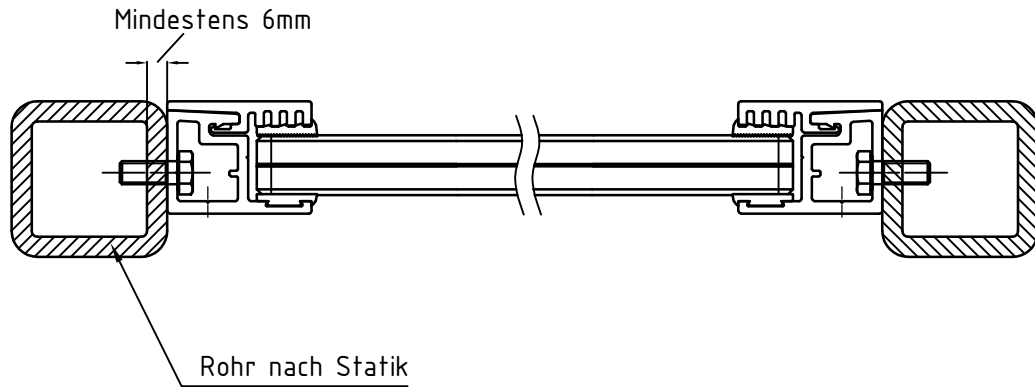
Q-railing

THE PREMIUM BRAND IN RAILING SYSTEMS

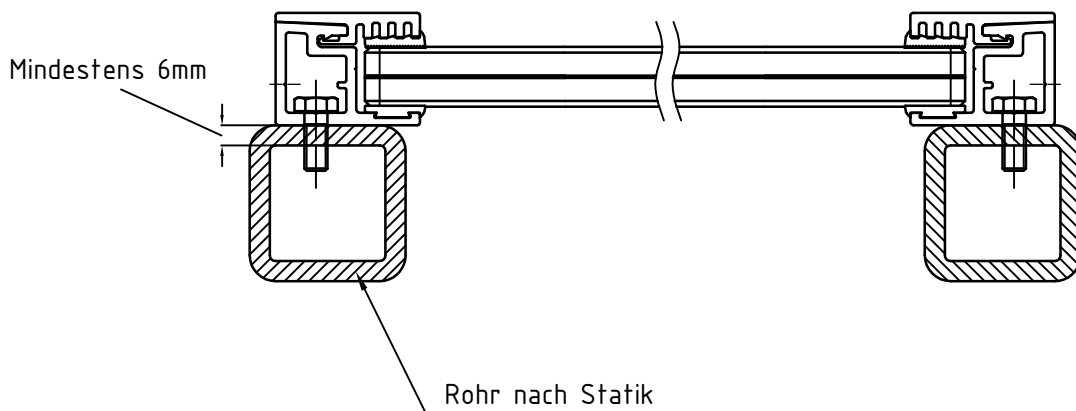
Diese Detailzeichnung gilt nur zur Orientierung. Die ausführende Firma bleibt verantwortlich für die fachgerechte Montage nach landesspezifischen Vorschriften und Richtlinien. Für weiteren Service nehmen Sie bitte Kontakt mit Ihrer nächstgelegenen Q-railing Niederlassung auf.

WWW.Q-RAILING.COM

Montage in der Leibung Rohr



Montage vor der Leibung Rohr



Produkt Linie: Easy Glass View

Beschreibung: Detailzeichnung (Stahlrohr)

MOD-Nr.: 6923

Zeichnungs-Nr.: 6923-007

Gez.: MPS

Dat.: 05.12.2016

Bea.:

Dat.:

Maßstab:

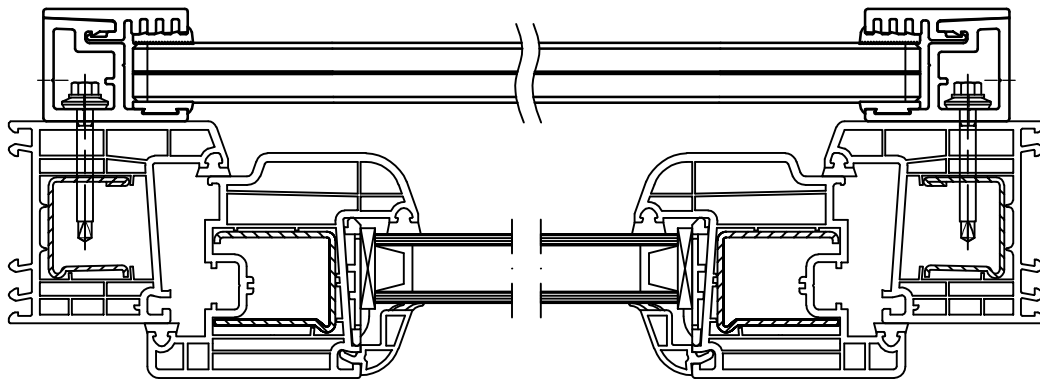
WWW.Q-RAILING.COM

Q-railing

THE PREMIUM BRAND IN RAILING SYSTEMS

Diese Detailzeichnung gilt nur zur Orientierung. Die ausführende Firma bleibt verantwortlich für die fachgerechte Montage nach landesspezifischen Vorschriften und Richtlinien. Für weiteren Service nehmen Sie bitte Kontakt mit Ihrer nächstgelegenen Q-railing Niederlassung auf.

Befestigung Fassadenschraube piasta®



Produkt Linie: Easy Glass View

Gez.: MPS

Beschreibung: Detailzeichnung (Kunststoffrahmen)

Dat.: 05.12.2016

MOD-Nr.: 6923

Bea:

Zeichnungs-Nr.: 6923-010

Dat.:

WWW.Q-RAILING.COM

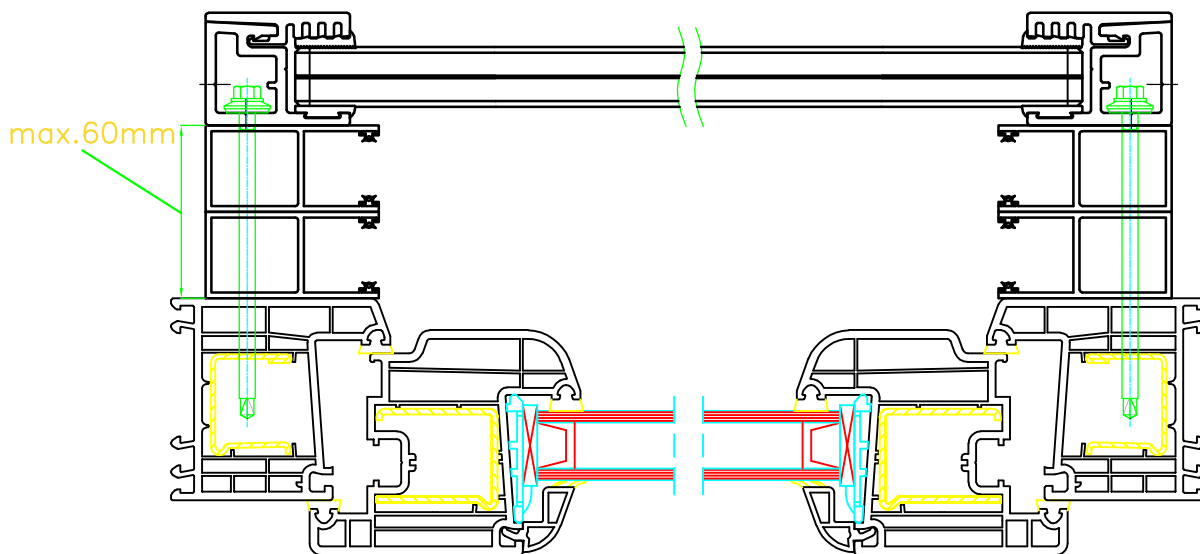
Maßstab:

Q-railing

THE PREMIUM BRAND IN RAILING SYSTEMS

Diese Detailzeichnung gilt nur zur Orientierung. Die ausführende Firma bleibt verantwortlich für die fachgerechte Montage nach landesspezifischen Vorschriften und Richtlinien. Für weiteren Service nehmen Sie bitte Kontakt mit Ihrer nächstgelegenen Q-railing Niederlassung auf.

Befestigung Fassadenschraube piasta®



Produkt Linie: Easy Glass View

Beschreibung: Detailzeichnung (Kunststoffrahmen)

MOD-Nr.: 6923

Zeichnungs-Nr.: 6923-010

WWW.Q-RAILING.COM

Gez.: MPS

Dat.: 05.12.2016

Bea.:

Dat.:

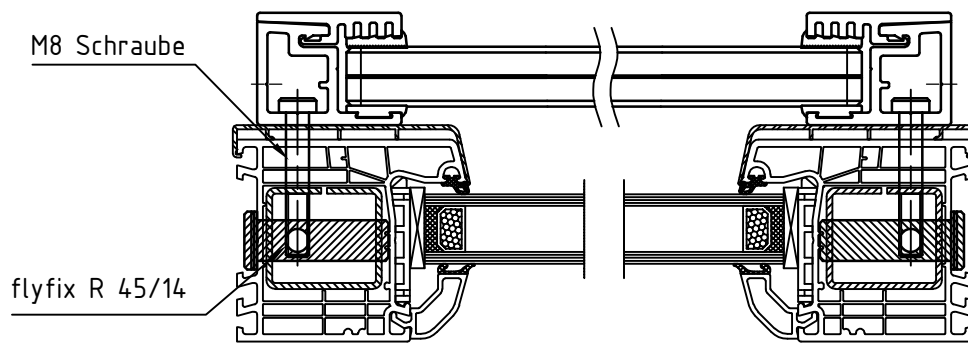
Maßstab:

Q-railing

THE PREMIUM BRAND IN RAILING SYSTEMS

Diese Detailzeichnung gilt nur zur Orientierung. Die ausführende Firma bleibt verantwortlich für die fachgerechte Montage nach landesspezifischen Vorschriften und Richtlinien. Für weiteren Service nehmen Sie bitte Kontakt mit Ihrer nächstgelegenen Q-railing Niederlassung auf.

Befestigung mit flyfix



Produkt Linie: Easy Glass View

Beschreibung: Detailzeichnung (Kunststoffrahmen)

MOD-Nr.: 6923

Zeichnungs-Nr.: 6923-011

Gez.: MPS

Dat.: 05.12.2016

Bea.:

Dat.:

Maßstab:

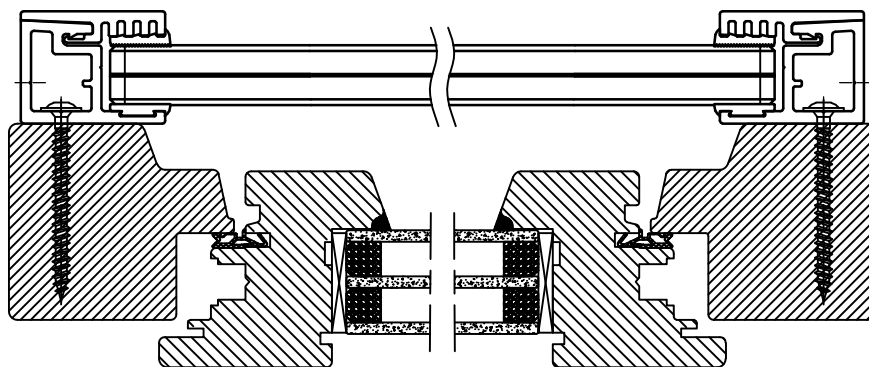
WWW.Q-RAILING.COM

Q-railing

THE PREMIUM BRAND IN RAILING SYSTEMS

Diese Detailzeichnung gilt nur zur Orientierung. Die ausführende Firma bleibt verantwortlich für die fachgerechte Montage nach landesspezifischen Vorschriften und Richtlinien. Für weiteren Service nehmen Sie bitte Kontakt mit Ihrer nächstgelegenen Q-railing Niederlassung auf.

Befestigung mit Assy® Holzschraube



Produkt Linie: Easy Glass View

Beschreibung: Detailzeichnung (Holzrahmen)

MOD-Nr.: 6923

Zeichnungs-Nr.: 6923-012

Gez.: MPS

Dat.: 05.12.2016

Bea:

Dat.:

Maßstab:

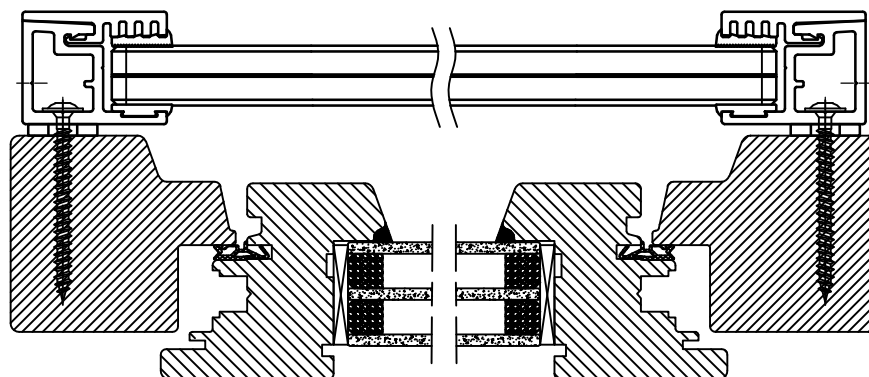
WWW.Q-RAILING.COM

Q-railing

THE PREMIUM BRAND IN RAILING SYSTEMS

Diese Detailzeichnung gilt nur zur Orientierung. Die ausführende Firma bleibt verantwortlich für die fachgerechte Montage nach landesspezifischen Vorschriften und Richtlinien. Für weiteren Service nehmen Sie bitte Kontakt mit Ihrer nächstgelegenen Q-railing Niederlassung auf.

Befestigung mit Assy® Holzschraube



Produkt Linie: Easy Glass View

Beschreibung: Detailzeichnung (Holzrahmen)

MOD-Nr.: 6923

Zeichnungs-Nr.: 6923-013

Gez.: MPS

Dat.: 05.12.2016

Bea:

Dat.:

Maßstab:

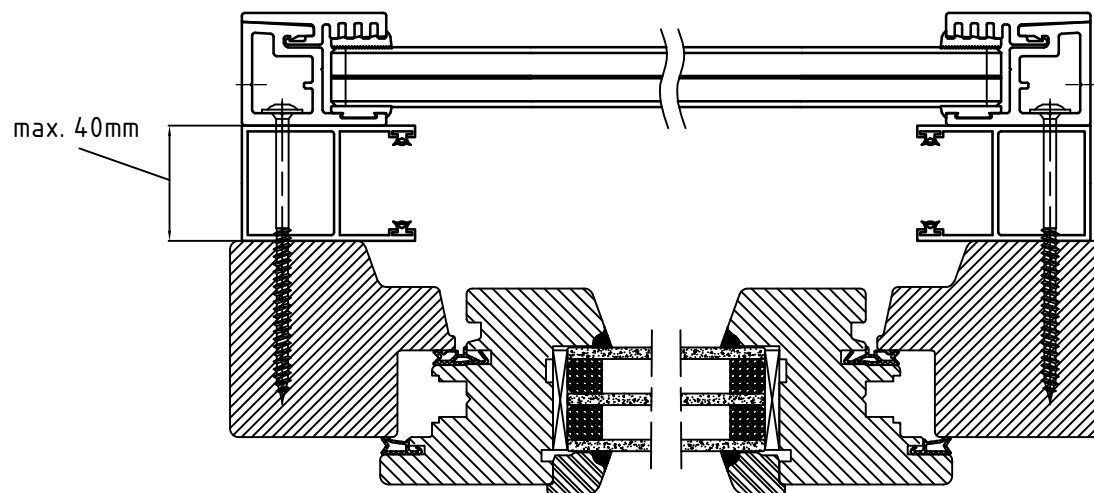
WWW.Q-RAILING.COM

Q-railing

THE PREMIUM BRAND IN RAILING SYSTEMS

Diese Detailzeichnung gilt nur zur Orientierung. Die ausführende Firma bleibt verantwortlich für die fachgerechte Montage nach landesspezifischen Vorschriften und Richtlinien. Für weiteren Service nehmen Sie bitte Kontakt mit Ihrer nächstgelegenen Q-railing Niederlassung auf.

Befestigung mit Assy® Holzschraube



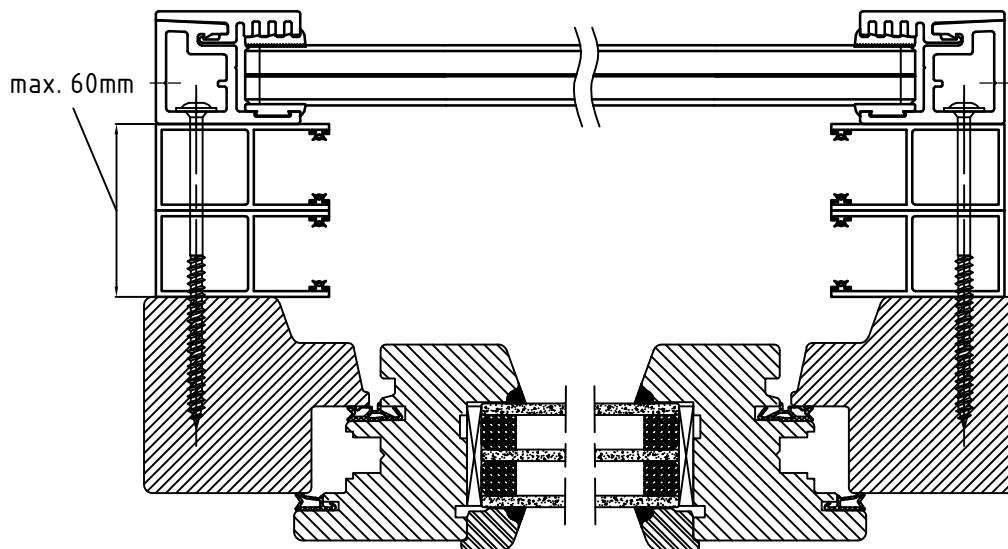
Produkt Linie: Easy Glass View	Gez.: MPS
Beschreibung: Detailzeichnung (Holzrahmen)	Dat.: 05.12.2016
MOD-Nr.: 6923	Bea.:
Zeichnungs-Nr.: 6923-014	Dat.:
WWW.Q-RAILING.COM	Maßstab:

Q-railing

THE PREMIUM BRAND IN RAILING SYSTEMS

Diese Detailzeichnung gilt nur zur Orientierung. Die ausführende Firma bleibt verantwortlich für die fachgerechte Montage nach landesspezifischen Vorschriften und Richtlinien. Für weiteren Service nehmen Sie bitte Kontakt mit Ihrer nächstgelegenen Q-railing Niederlassung auf.

Befestigung mit Assy® Holzschraube



Produkt Linie: Easy Glass View

Beschreibung: Detailzeichnung (Holzrahmen)

MOD-Nr.: 6923

Zeichnungs-Nr.: 6923-015

Gez.: MPS

Dat.: 05.12.2016

Bea.:

Dat.:

Maßstab:

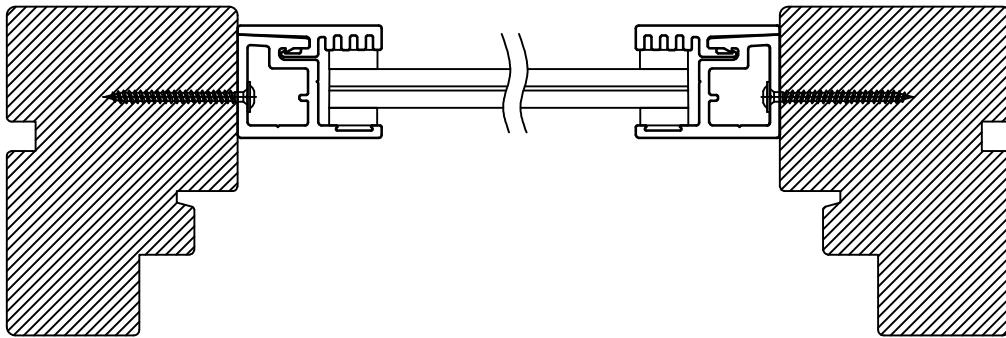
WWW.Q-RAILING.COM

Q-railing

THE PREMIUM BRAND IN RAILING SYSTEMS

Diese Detailzeichnung gilt nur zur Orientierung. Die ausführende Firma bleibt verantwortlich für die fachgerechte Montage nach landesspezifischen Vorschriften und Richtlinien. Für weiteren Service nehmen Sie bitte Kontakt mit Ihrer nächstgelegenen Q-railing Niederlassung auf.

Befestigung mit Assy® Holzschraube in der Leibung



Produkt Linie: Easy Glass View

Beschreibung: Detailzeichnung (Holzrahmen)

MOD-Nr.: 6923

Zeichnungs-Nr.: 6923-029

WWW.Q-RAILING.COM

Gez.: SH

Dat.: 12.11.2019

Bea:

Dat.:

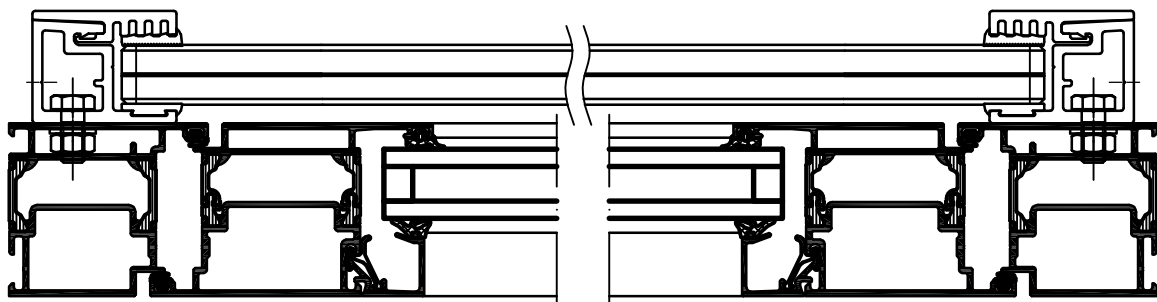
Maßstab:

Q-railing

THE PREMIUM BRAND IN RAILING SYSTEMS

Diese Detailzeichnung gilt nur zur Orientierung. Die ausführende Firma bleibt verantwortlich für die fachgerechte Montage nach landesspezifischen Vorschriften und Richtlinien. Für weiteren Service nehmen Sie bitte Kontakt mit Ihrer nächstgelegenen Q-railing Niederlassung auf.

Befestigung mit Gewindeschraube und Mutter



Produkt Linie: Easy Glass View

Beschreibung: Detailzeichnung (Holzrahmen)

MOD-Nr.: 6923

Zeichnungs-Nr.: 6923-016

Gez.: MPS

Dat.: 05.12.2016

Bea:

Dat.:

Maßstab:

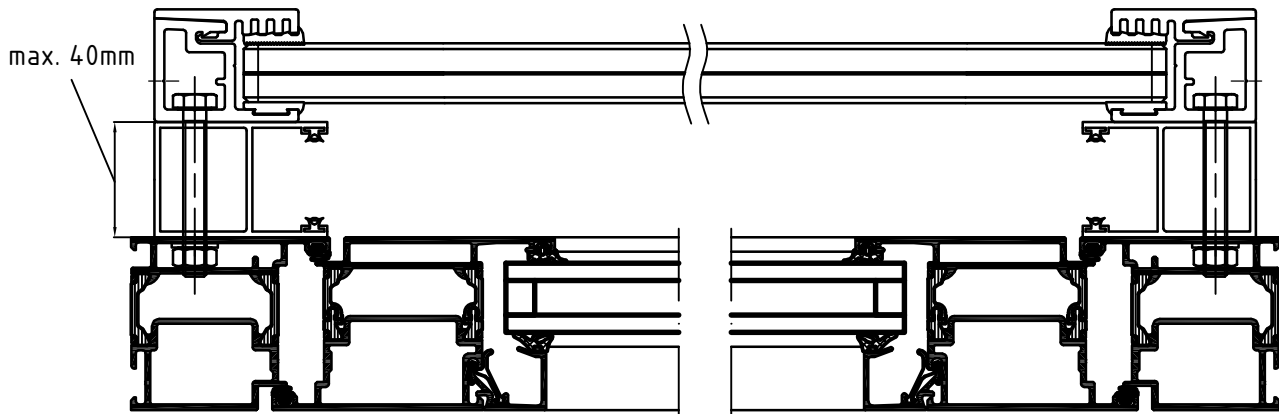
Q-railing

THE PREMIUM BRAND IN RAILING SYSTEMS

Diese Detailzeichnung gilt nur zur Orientierung. Die ausführende Firma bleibt verantwortlich für die fachgerechte Montage nach landesspezifischen Vorschriften und Richtlinien. Für weiteren Service nehmen Sie bitte Kontakt mit Ihrer nächstgelegenen Q-railing Niederlassung auf.

WWW.Q-RAILING.COM

Befestigung mit Gewindeschraube und Mutter



Produkt Linie: Easy Glass View

Beschreibung: Detailzeichnung (Holzrahmen)

MOD-Nr.: 6923

Zeichnungs-Nr.: 6923-017

Gez.: MPS

Dat.: 05.12.2016

Bea.:

Dat.:

Maßstab:

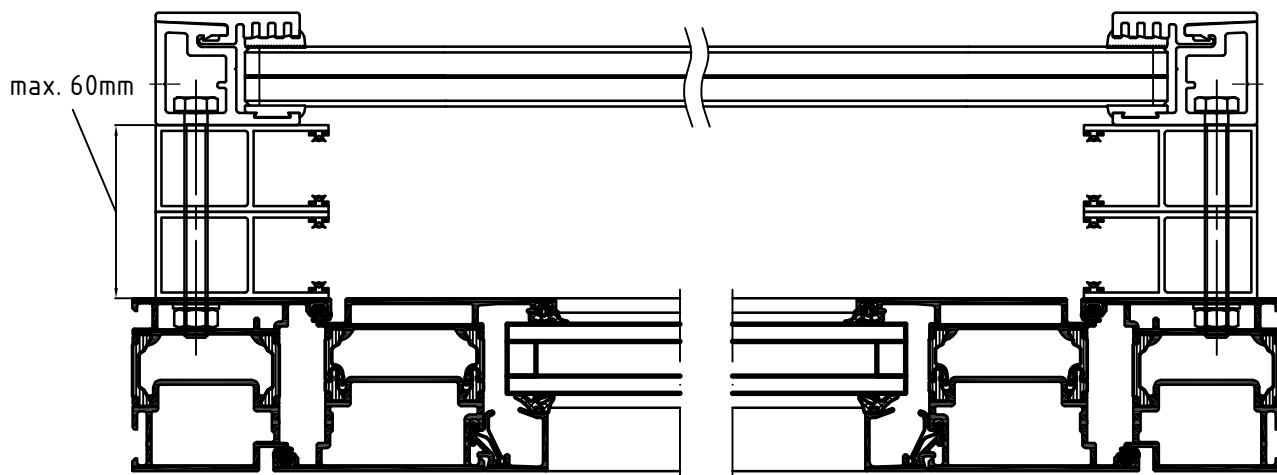
WWW.Q-RAILING.COM

Q-railing

THE PREMIUM BRAND IN RAILING SYSTEMS

Diese Detailzeichnung gilt nur zur Orientierung. Die ausführende Firma bleibt verantwortlich für die fachgerechte Montage nach landesspezifischen Vorschriften und Richtlinien. Für weiteren Service nehmen Sie bitte Kontakt mit Ihrer nächstgelegenen Q-railing Niederlassung auf.

Befestigung mit Gewindeschraube und Mutter



Produkt Linie: Easy Glass View

Beschreibung: Detailzeichnung (Aluminiumrahmen)

MOD-Nr.: 6923

Zeichnungs-Nr.: 6923-018

WWW.Q-RAILING.COM

Gez.: MPS

Dat.: 05.12.2016

Bea.:

Dat.:

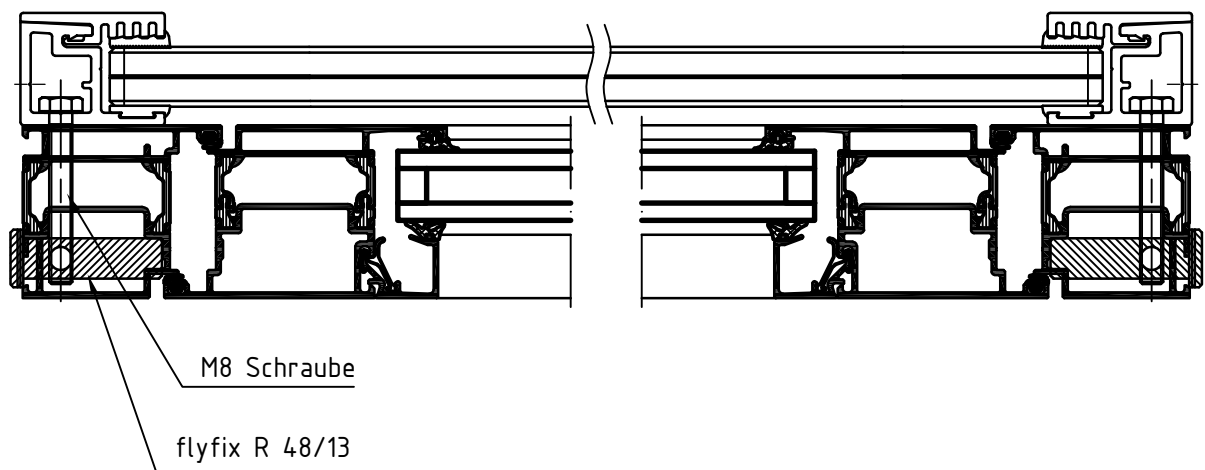
Maßstab:

Q-railing

THE PREMIUM BRAND IN RAILING SYSTEMS

Diese Detailzeichnung gilt nur zur Orientierung. Die ausführende Firma bleibt verantwortlich für die fachgerechte Montage nach landesspezifischen Vorschriften und Richtlinien. Für weiteren Service nehmen Sie bitte Kontakt mit Ihrer nächstgelegenen Q-railing Niederlassung auf.

Befestigung mit flyfix



Produkt Linie: Easy Glass View

Gez.: MPS

Beschreibung: Detailzeichnung (Aluminiumrahmen)

Dat.: 05.12.2016

MOD-Nr.: 6923

Bea:

Zeichnungs-Nr.: 6923-019

Dat.:

WWW.Q-RAILING.COM

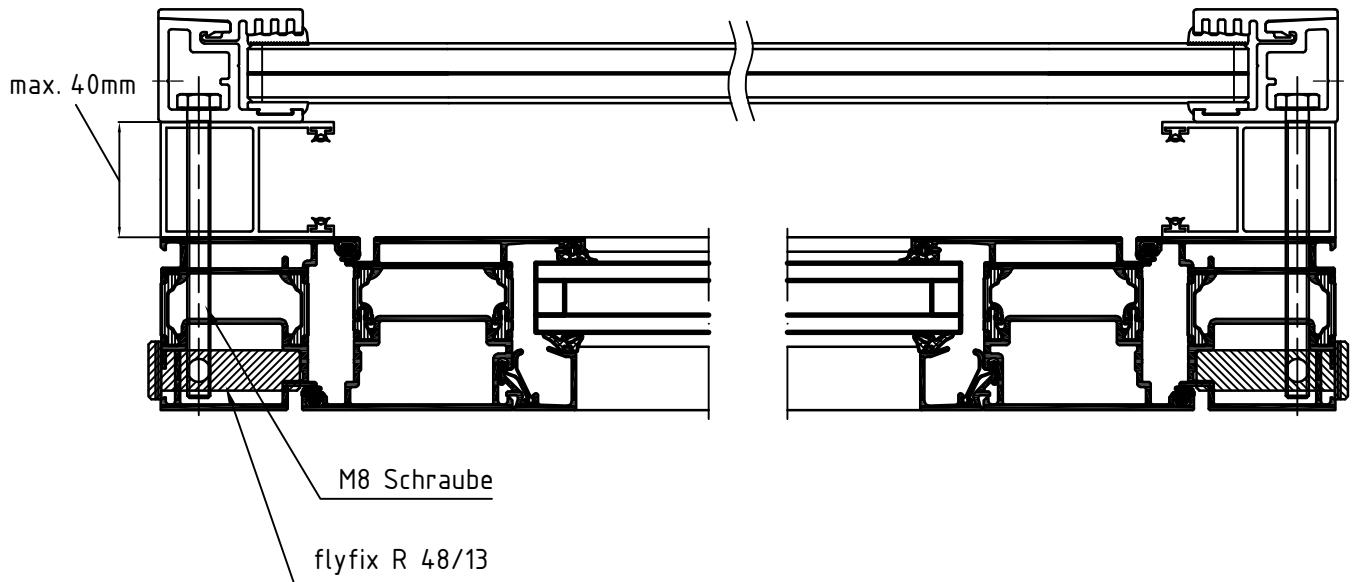
Maßstab:

Q-railing

THE PREMIUM BRAND IN RAILING SYSTEMS

Diese Detailzeichnung gilt nur zur Orientierung. Die ausführende Firma bleibt verantwortlich für die fachgerechte Montage nach landesspezifischen Vorschriften und Richtlinien. Für weiteren Service nehmen Sie bitte Kontakt mit Ihrer nächstgelegenen Q-railing Niederlassung auf.

Befestigung mit flyfix



Produkt Linie: Easy Glass View

Gez.: MPS

Beschreibung: Detailzeichnung (Aluminiumrahmen)

Dat.: 05.12.2016

MOD-Nr.: 6923

Bea:

Zeichnungs-Nr.: 6923-020

Dat.:

WWW.Q-RAILING.COM

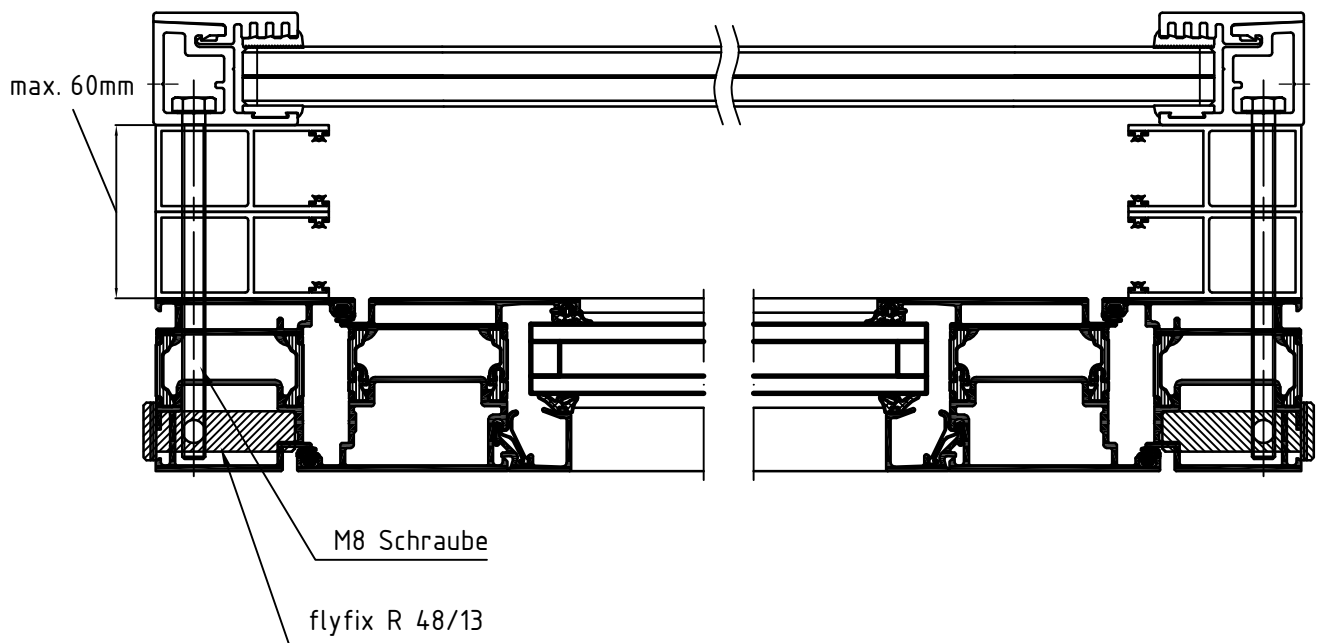
Maßstab:

Q-railing

THE PREMIUM BRAND IN RAILING SYSTEMS

Diese Detailzeichnung gilt nur zur Orientierung. Die ausführende Firma bleibt verantwortlich für die fachgerechte Montage nach landesspezifischen Vorschriften und Richtlinien. Für weiteren Service nehmen Sie bitte Kontakt mit Ihrer nächstgelegenen Q-railing Niederlassung auf.

Befestigung mit flyfix



Produkt Linie: Easy Glass View

Gez.: MPS

Beschreibung: Detailzeichnung (Aluminiumrahmen)

Dat.: 05.12.2016

MOD-Nr.: 6923

Bea.:

Zeichnungs-Nr.: 6923-021

Dat.:

WWW.Q-RAILING.COM

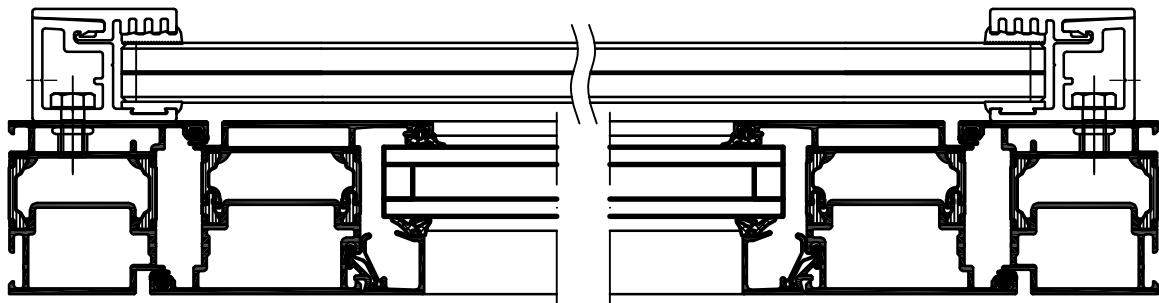
Maßstab:

Q-railing

THE PREMIUM BRAND IN RAILING SYSTEMS

Diese Detailzeichnung gilt nur zur Orientierung. Die ausführende Firma bleibt verantwortlich für die fachgerechte Montage nach landesspezifischen Vorschriften und Richtlinien. Für weiteren Service nehmen Sie bitte Kontakt mit Ihrer nächstgelegenen Q-railing Niederlassung auf.

Befestigung mit Einnietmutter



Produkt Linie: Easy Glass View

Beschreibung: Detailzeichnung

MOD-Nr.: 6923

Zeichnungs-Nr.: 6923-022

Gez.: MPS

Dat.: 05.12.2016

Bea.:

Dat.:

Maßstab:

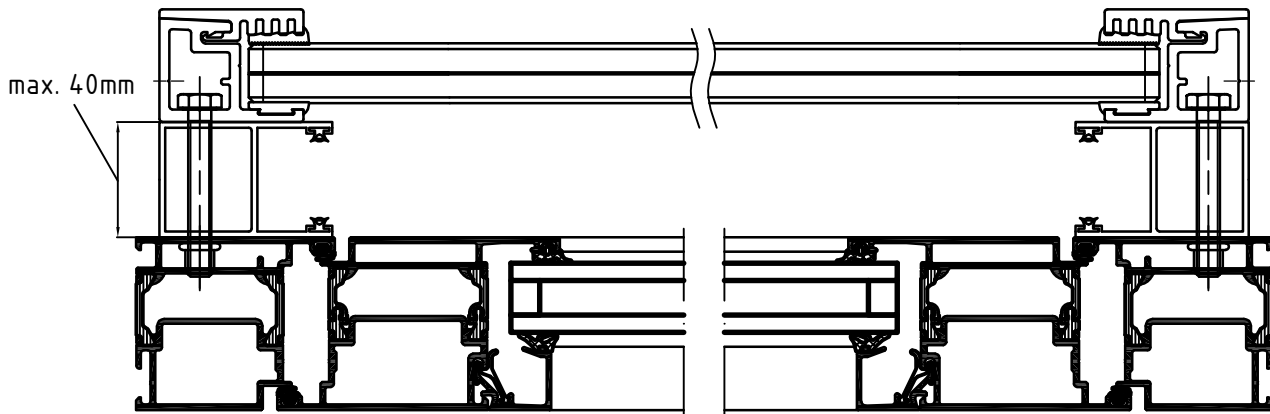
WWW.Q-RAILING.COM

Q-railing

THE PREMIUM BRAND IN RAILING SYSTEMS

Diese Detailzeichnung gilt nur zur Orientierung. Die ausführende Firma bleibt verantwortlich für die fachgerechte Montage nach landesspezifischen Vorschriften und Richtlinien. Für weiteren Service nehmen Sie bitte Kontakt mit Ihrer nächstgelegenen Q-railing Niederlassung auf.

Befestigung mit Einnietmutter



Produkt Linie: Easy Glass View

Beschreibung: Detailzeichnung (Aluminiumrahmen)

MOD-Nr.: 6923

Zeichnungs-Nr.: 6923-023

Gez.: MPS

Dat.: 05.12.2016

Bea.:

Dat.:

Maßstab:

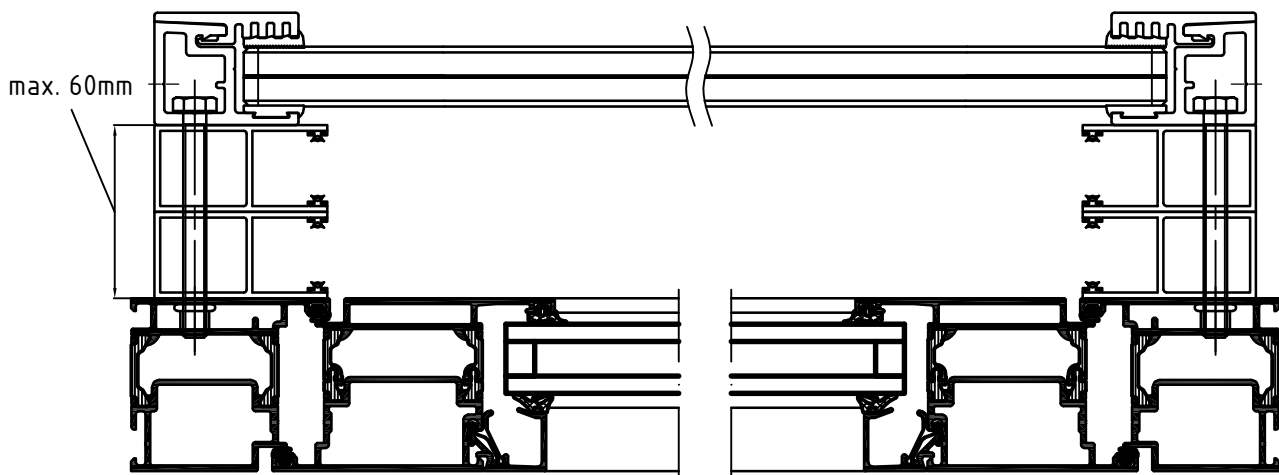
WWW.Q-RAILING.COM

Q-railing

THE PREMIUM BRAND IN RAILING SYSTEMS

Diese Detailzeichnung gilt nur zur Orientierung. Die ausführende Firma bleibt verantwortlich für die fachgerechte Montage nach landesspezifischen Vorschriften und Richtlinien. Für weiteren Service nehmen Sie bitte Kontakt mit Ihrer nächstgelegenen Q-railing Niederlassung auf.

Befestigung mit Einnietmutter



Produkt Linie: Easy Glass View

Beschreibung: Detailzeichnung (Aluminiumrahmen)

MOD-Nr.: 6923

Zeichnungs-Nr.: 6923-024

Gez.: MPS

Dat.: 05.12.2016

Bea.:

Dat.:

Maßstab:

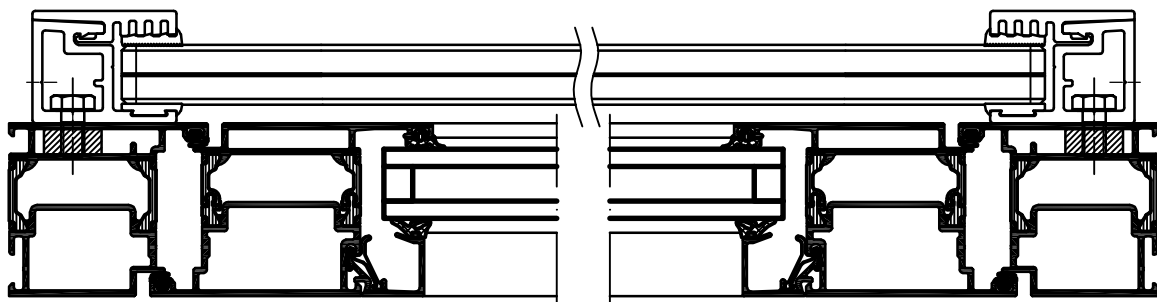
WWW.Q-RAILING.COM

Q-railing

THE PREMIUM BRAND IN RAILING SYSTEMS

Diese Detailzeichnung gilt nur zur Orientierung. Die ausführende Firma bleibt verantwortlich für die fachgerechte Montage nach landesspezifischen Vorschriften und Richtlinien. Für weiteren Service nehmen Sie bitte Kontakt mit Ihrer nächstgelegenen Q-railing Niederlassung auf.

Befestigung mit Einschiebling



Produkt Linie: Easy Glass View

Gez.: MPS

Beschreibung: Detailzeichnung (Aluminiumrahmen)

Dat.: 05.12.2016

MOD-Nr.: 6923

Bea.:

Zeichnungs-Nr.: 6923-025

Dat.:

WWW.Q-RAILING.COM

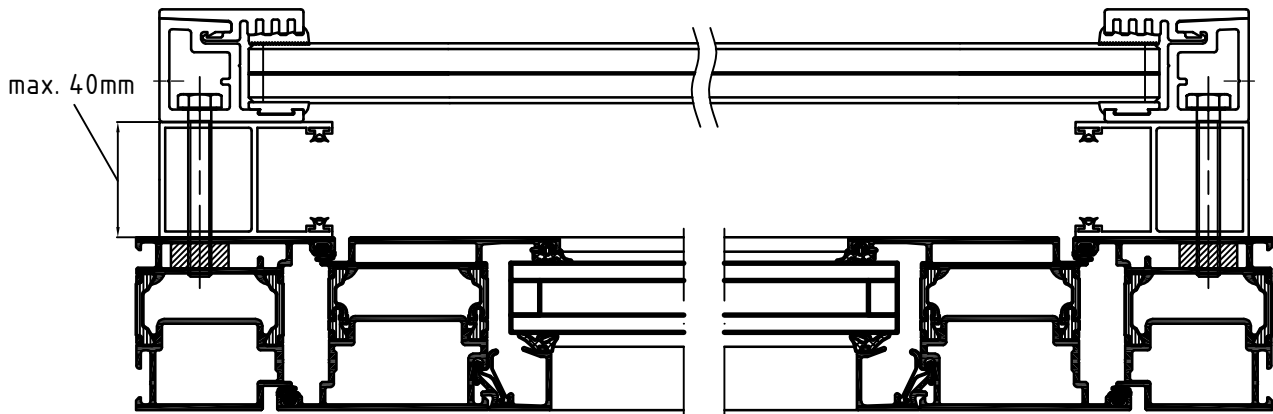
Maßstab:

Q-railing

THE PREMIUM BRAND IN RAILING SYSTEMS

Diese Detailzeichnung gilt nur zur Orientierung. Die ausführende Firma bleibt verantwortlich für die fachgerechte Montage nach landesspezifischen Vorschriften und Richtlinien. Für weiteren Service nehmen Sie bitte Kontakt mit Ihrer nächstgelegenen Q-railing Niederlassung auf.

Befestigung mit Einschiebling



Produkt Linie: Easy Glass View

Beschreibung: Detailzeichnung (Aluminiumrahmen)

MOD-Nr.: 6923

Zeichnungs-Nr.: 6923-026

Gez.: MPS

Dat.: 05.12.2016

Bea.:

Dat.:

Maßstab:

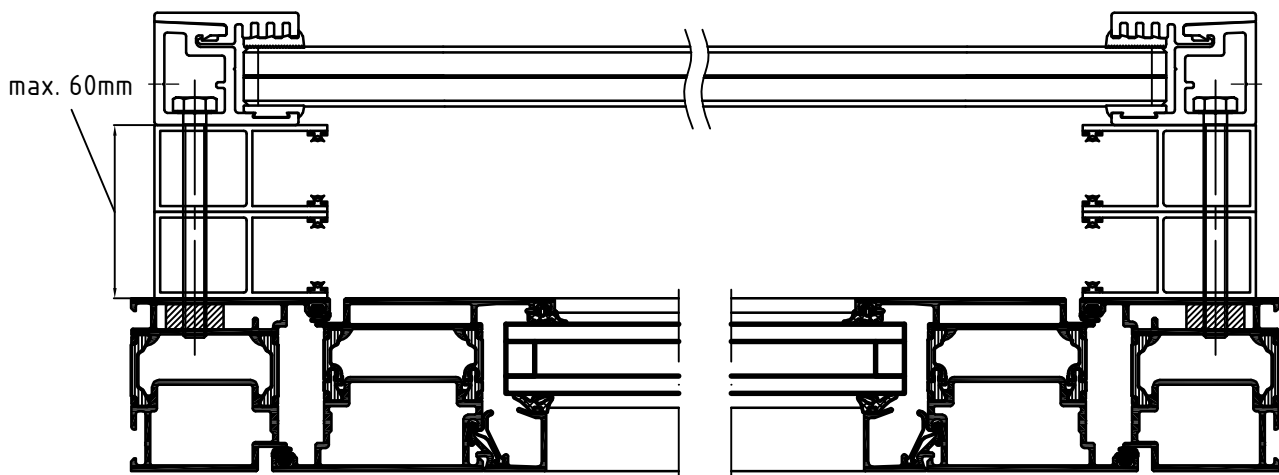
Q-railing

THE PREMIUM BRAND IN RAILING SYSTEMS

Diese Detailzeichnung gilt nur zur Orientierung. Die ausführende Firma bleibt verantwortlich für die fachgerechte Montage nach landesspezifischen Vorschriften und Richtlinien. Für weiteren Service nehmen Sie bitte Kontakt mit Ihrer nächstgelegenen Q-railing Niederlassung auf.

WWW.Q-RAILING.COM

Befestigung mit Einschiebling



Produkt Linie: Easy Glass View

Beschreibung: Detailzeichnung (Aluminiumrahmen)

MOD-Nr.: 6923

Zeichnungs-Nr.: 6923-027

Gez.: MPS

Dat.: 05.12.2016

Bea.:

Dat.:

Maßstab:

WWW.Q-RAILING.COM

Q-railing

THE PREMIUM BRAND IN RAILING SYSTEMS

Diese Detailzeichnung gilt nur zur Orientierung. Die ausführende Firma bleibt verantwortlich für die fachgerechte Montage nach landesspezifischen Vorschriften und Richtlinien. Für weiteren Service nehmen Sie bitte Kontakt mit Ihrer nächstgelegenen Q-railing Niederlassung auf.



GOOD LUCK WITH
YOUR INSTALLATION!

VIEL ERFOLG MIT
IHRER MONTAGE!

SUCCES MET
DE INSTALLATIE!